



Drain Disinfection Kit

source

Approved TECcare Distributor

TECCare[®]



For high level disinfection and cleaning of urinals,
drains, showers and sanitary ware





A hidden source of contamination:

Healthcare sites, such as hospitals, take great care in keeping their patients safe by ensuring that all equipment and surfaces, including sanitary ware, are kept clean.

However, beneath the visible surfaces, the drains of urinals, sinks and showers are often found to be the source of infection outbreaks, which is not surprising when you consider that the U-bend or trap is the **only protection** from the drains and open sewers that harbour so many dangerous pathogens.

U-bends and traps are a breeding ground for these bacteria and fungi which often adhere to surfaces as thick, slimy biofilms, which thrive in these moist and warm conditions. Biofilms go on to release and disperse microorganisms, which then colonise and contaminate other surfaces and environments.

In a paper by Inkster et al *“Investigation and control of an outbreak due to a contaminated hospital water system, identified following a rare case of *Cupriavidus pauculus* bacteraemia”* in February 2021 regarding incidents at Queen Elizabeth University Hospital, Glasgow the paper noted *“staff reported visible black grime refluxing from drains into the clinical hand wash basins.”*

The paper described how the hospital believed that problems were caused by disruption and aerosolization of biofilm which lead to bacteria re-entering the environment by this debris refluxing from the drain into the environment.

Reports state that biofilm in drains can grow and travel back up through the pipework at 1mm per hour, so it doesn't take long for the sink or shower floor to become contaminated. Clearly biofilms and their associated bacteria, fungi, etc. represent a significant health hazard so their removal from drains is essential to protect healthcare workers and patients from infection outbreaks.



The solution to biofilm-free drains:

Although biofilm development and formation on surfaces is well understood (Figure 1), the prevention of biofilm formation and the disruption of established biofilms is a significant problem.

Traditional disinfectants are ineffective as they cannot break down the biofilm structure that protects the microbes within it, and the option of replacing contaminated sanitary ware components is impractical, inconvenient, and costly.

To combat this issue TECcare® has developed the TECcare R-FOAM Drain Disinfection Kit, a proven protocol for the destruction of biofilm and the high-level disinfection and cleaning of urinals, drains, showers, and sanitary ware.

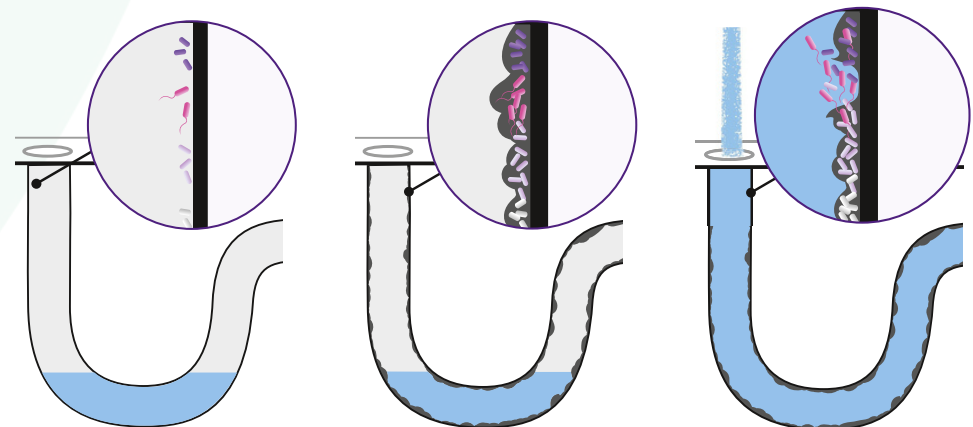
FIGURE 1.

The formation and development of biofilm

Passively drifting (planktonic) bacteria and other microbes begin to adhere to the inner surfaces of drain.

The ideal conditions encourage the bacteria to multiply and produce slimy extracellular polymeric substances (EPS) which form a protective biofilm.

When water is flushed through the drain, the biofilm can become detached, releasing quantities of microbes up out of the drain to contaminate the environment.





TECcare R-FOAM Drain Disinfection Kit

The TECcare R-FOAM Drain Disinfection Kit features a controlled and specially formulated rheopectic foam which is applied into the U-bend / trap, replacing the water with a foam barrier that prevents bacteria re-entering the sink and destroys the biofilm and its pathogens, allowing it to flush away.

Even after the drain is flushed through, the formula continues to adhere to the pipework, preventing bacterial regrowth to give prolonged protection against recontamination.

The TECcare R-FOAM Drain Disinfection Kit also includes TECcare CONTROL Intermediate fluid, a high-level broad spectrum disinfectant cleaner which is used as a concentrate and poured directly down the drain to loosen biofilm and destroy pathogens in the U-bend.

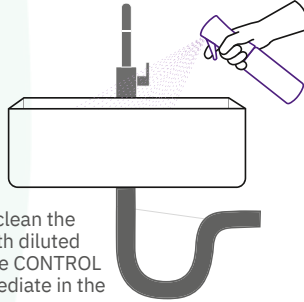
It is also used diluted in the NAP sprayer provided to clean sanitary ware surfaces. The kit also contains TECcare EFFACE wipes, a foam dosing tube and neoprene drain seals.

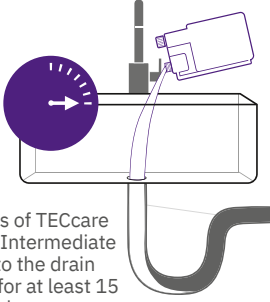
TECcare[®]
R-FOAM



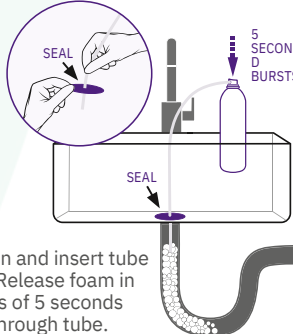
Disinfecting and protecting your drains using TECcare R-FOAM:

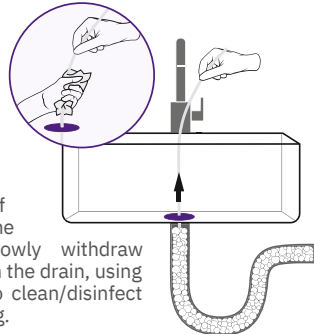


- 

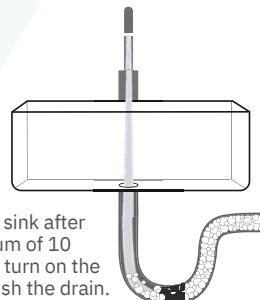
1. Firstly clean the sink with diluted TECcare CONTROL Intermediate in the NAP sprayer.
- 

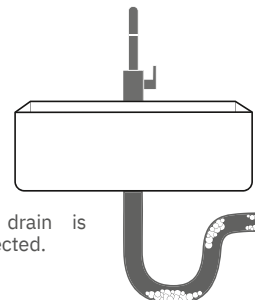
2. Pour 50mls of TECcare CONTROL Intermediate directly into the drain and leave for at least 15 minutes to loosen any biofilm present.

- 

3. Attach tube and seal to TECcare R-FOAM can and insert tube into drain. Release foam in short bursts of 5 seconds into drain through tube.
- 

4. With the required amount of foam in the drain, slowly withdraw tube from the drain, using a wipe to clean/disinfect the tubing.

- 

5. To reuse sink after a minimum of 10 minutes, turn on the tap to flush the drain.
- 

6. The drain is protected.





Frequency of Use

The TECcare R-FOAM Drain Disinfection Kit is simple to use and, as well as protecting patients and healthcare workers, it prolongs the life of the drainage system and ensures the continuous availability of your sanitary ware.

The TECcare R-FOAM Drain Disinfection Kit can be used for deep cleaning your drainage system as well as for routine cleaning. Swabs can be taken to determine the contamination levels of the drain.

This should be done by somebody trained in aseptic sampling techniques.

The frequency of routine cleaning depends on how dirty the drain was in the first instance, but the aim is only to routinely clean the drain on a weekly basis.

If the drain remains clean in between weekly cleans as evidenced by interim swabbing, then the frequency of cleaning can be extended to fortnightly.

source

Approved TECcare Distributor

Source Supplies
1a Watchmoor Road
Camberley
Surrey
GU15 3AQ

01276 676006
info@sourcesupplies.co.uk
www.sourcesupplies.co.uk



Each TECcare R-FOAM Drain Disinfection Kit contains:

1. TECcare R-FOAM aerosol (450ml)
2. TECcare CONTROL Intermediate fluid (1000ml)
3. TECcare CONTROL refillable NAP sprayer bottle (300ml)
4. TECcare EFFACE environmental detergent / degreasing wipes (88 wipes)
5. 20 x Neoprene drain seals
6. Foam dosing tube

TECcare® R-FOAM

